

# GB shower enclosures

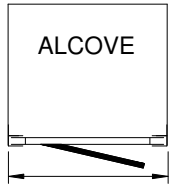
## DIMENSIONS

15-03-10  
ISSUE 1

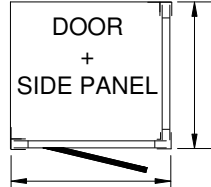
### Height 1800mm

\*800 products require extension pack **GBEC** to be added to relevant 760 product - **a separate pack is required for each side of the installation** - 2 packs are required for a door & side panel. Extension packs can be added to all sizes and types of GB door and will add an extra 30mm to the minimum size with 55mm of adjustment above this minimum.

### Pivot door

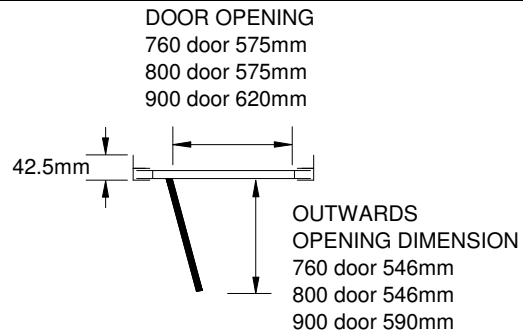


760 door 725-765mm  
800 door 755-815mm\*  
900 door 865-905mm

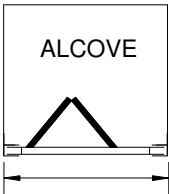


760 door 730-758mm  
800 door 760-805mm\*  
900 door 870-898mm

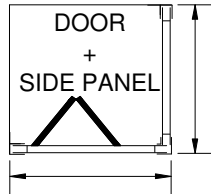
760 side panel 737-757mm\*  
800 side panel 767-805mm\*  
900 side panel 877-897mm



### Bi-fold door

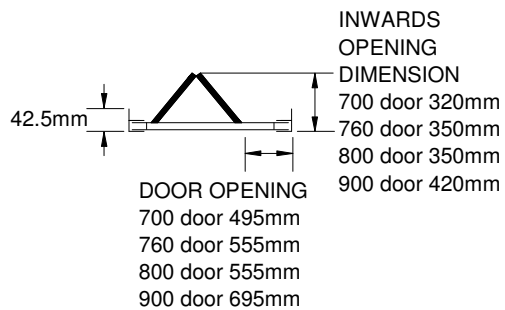


700 door 665-705mm  
760 door 725-765mm  
800 door 755-815mm\*  
900 door 865-905mm

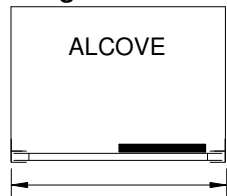


700 door 670-698mm  
760 door 730-758mm  
800 door 760-805mm\*  
900 door 870-898mm

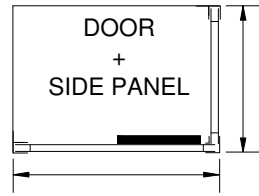
700 side panel 677-697mm  
760 side panel 737-757mm\*  
800 side panel 767-805mm\*  
900 side panel 877-897mm



### Sliding door

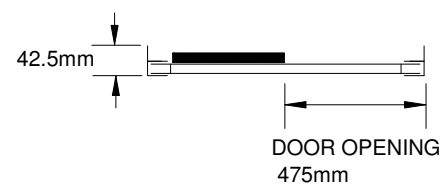


1200 door 1165-1205mm



1200 door 1170-1190mm

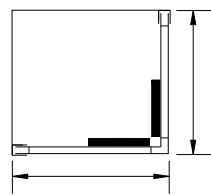
700 side panel 677-698mm  
760 side panel 737-758mm  
800 side panel 767-805mm\*  
900 side panel 877-898mm



### Corner entry

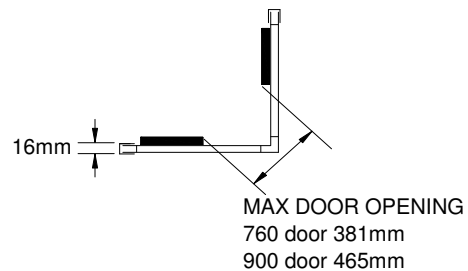
It is possible to reduce the width of the corner entry below the stated dimensions by trimming the frame. In this case, the door opening will be reduced accordingly.

It is not recommended that the corner entry is trimmed below 720mm

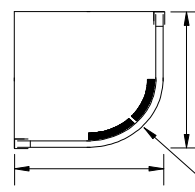


760 door 747-767mm  
800 door 777-832mm\*  
900 door 887-907mm

760 door 747-767mm  
800 door 777-832mm\*  
900 door 887-907mm

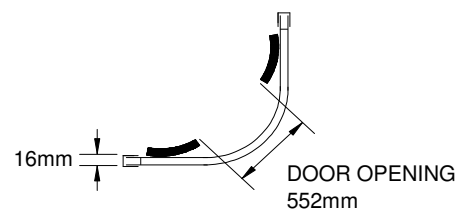


### Quadrant



900 quadrant  
880-900mm

900 quadrant  
880-900mm  
Radius 532mm  
(OK for 550 rad shower tray)



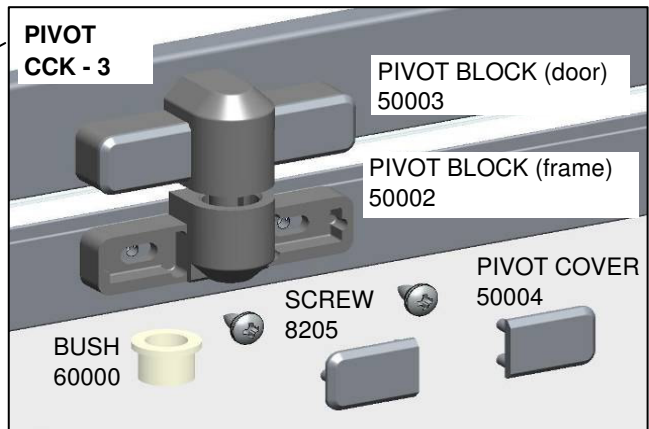
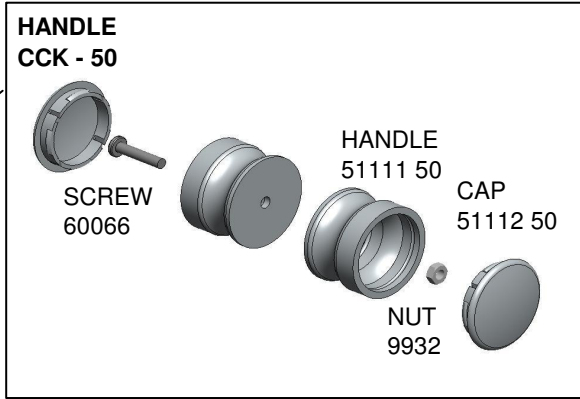
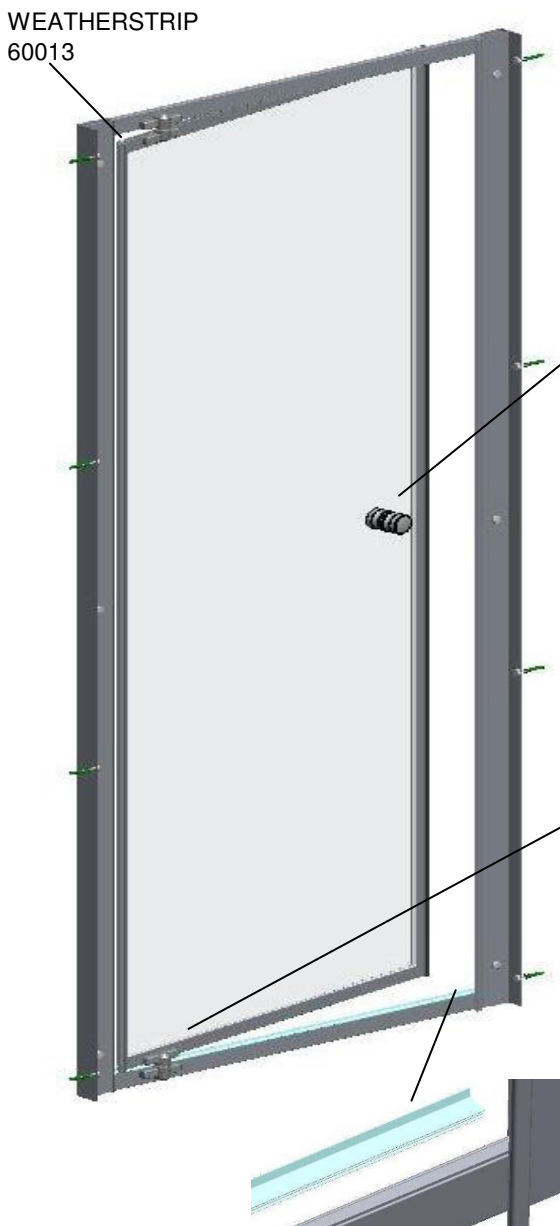
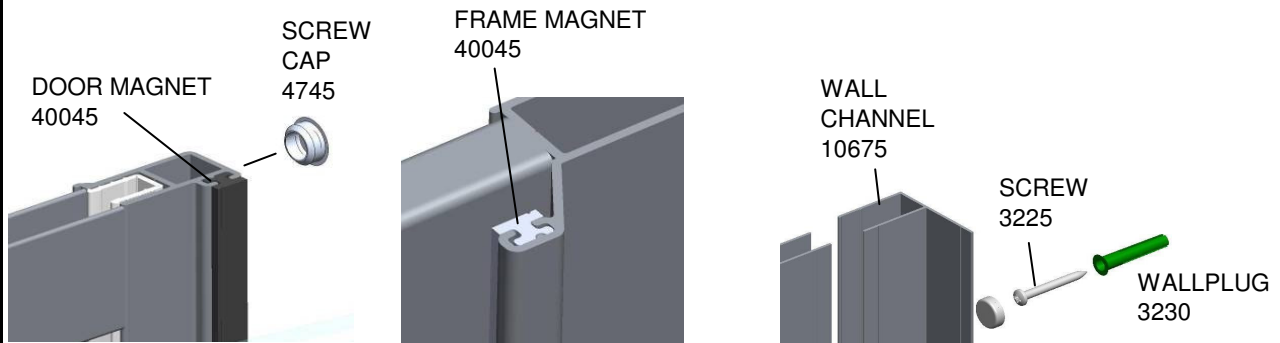
**Glass** 4mm thick throughout range - toughened to EN 12150 1C

**Frame** Chrome finish - aluminium alloy - extruded to BS EN 755-9

# GB shower enclosures

## PIVOT DOOR

### Parts



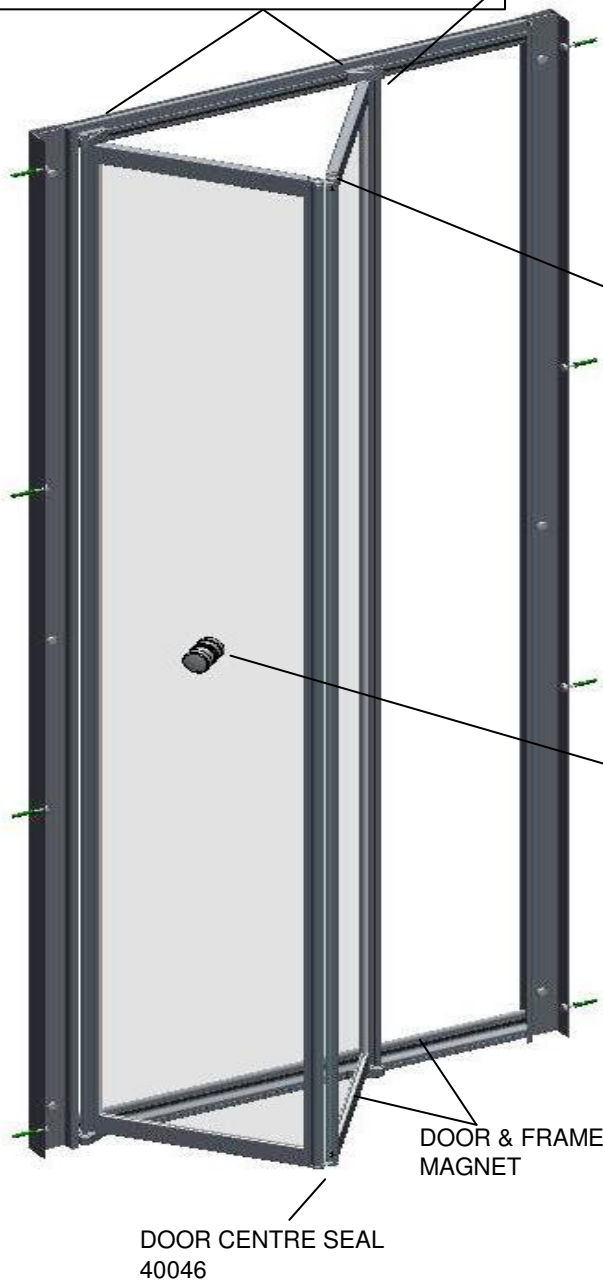
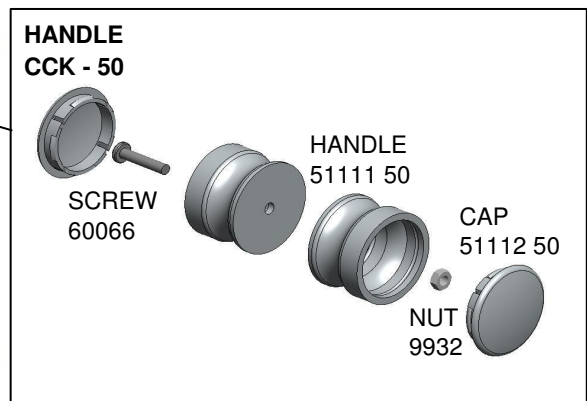
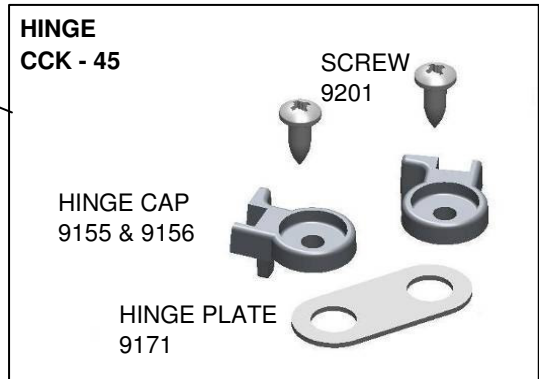
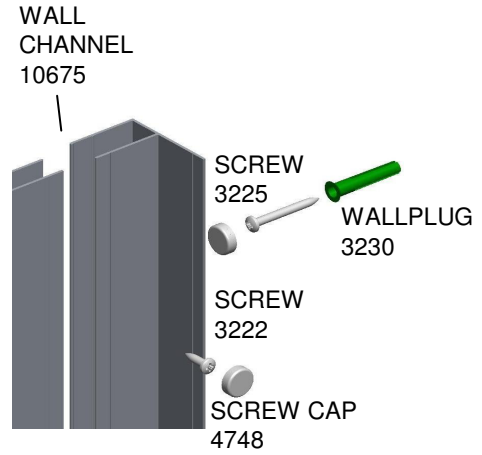
SPLASH GUARD (top & bottom)  
40003  
FLIPPER MUST FACE OUTWARDS

Instruction leaflet 71317  
Screwpack 80463

# GB shower enclosures

## BI-FOLD DOOR

### Parts



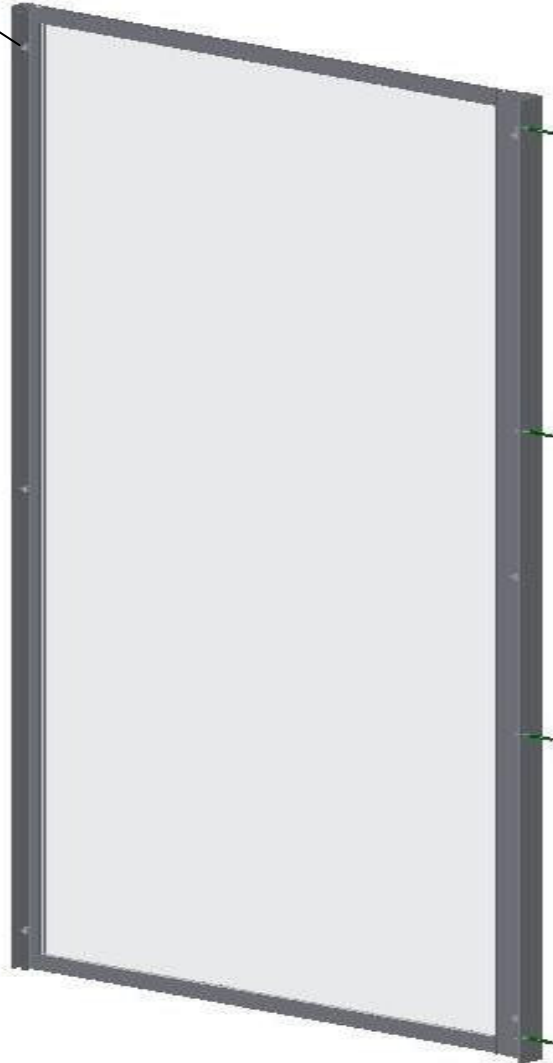
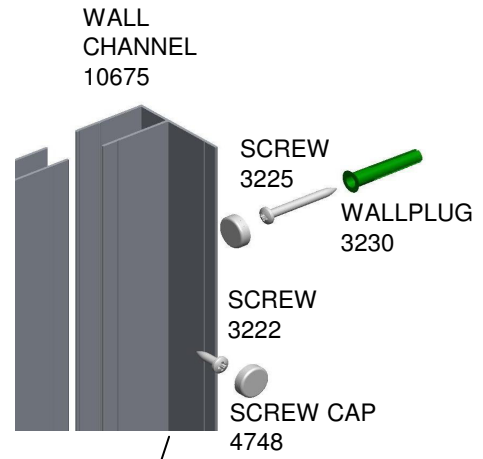
Instruction leaflet  
Screwpack

71318  
80464

# GB shower enclosures

## SIDE PANEL

### Parts

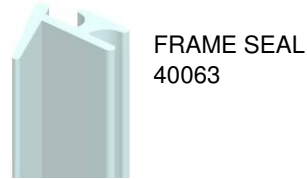
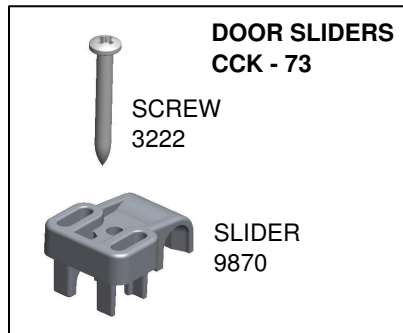


Instruction leaflet 71320  
Screwpack 80084

# GB shower enclosures

## SLIDING DOOR

### Parts



FRAME  
SCREW  
3225

SCREW  
CAP  
4745

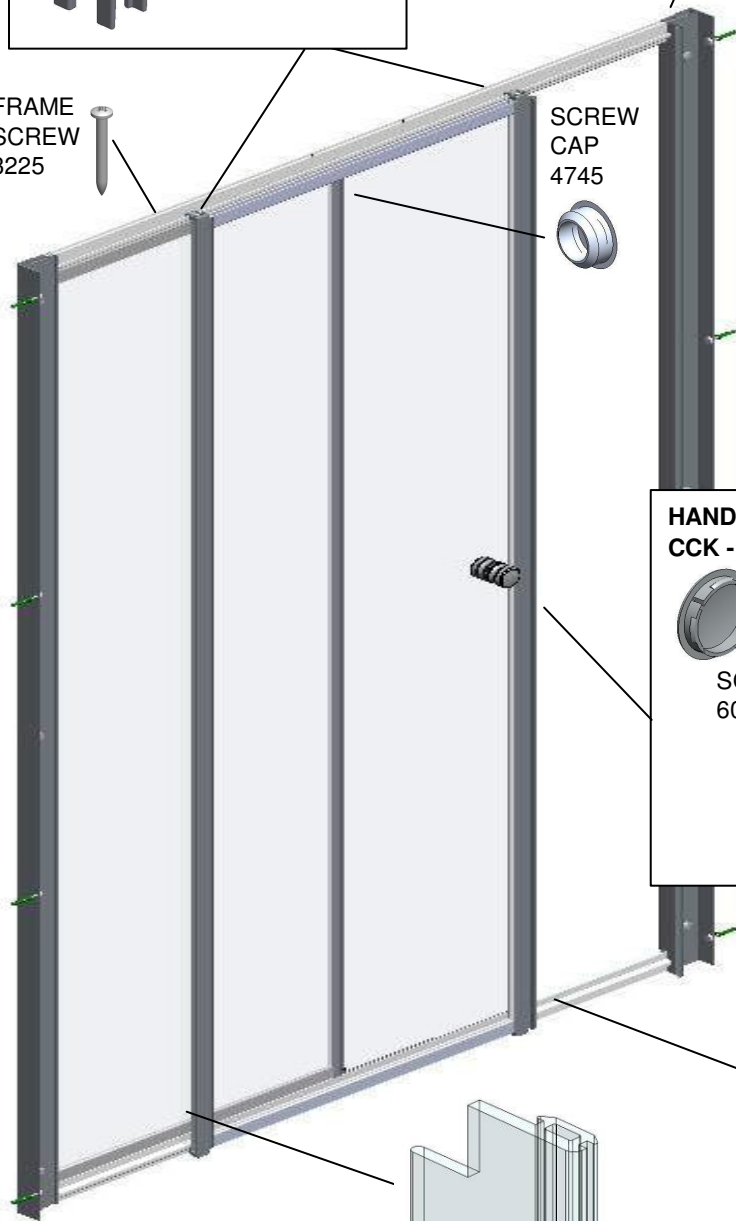
WALL CHANNEL  
10675

WALLPLUG  
3230

SCREW  
3225

SCREW  
3222

SCREW  
CAP  
4748



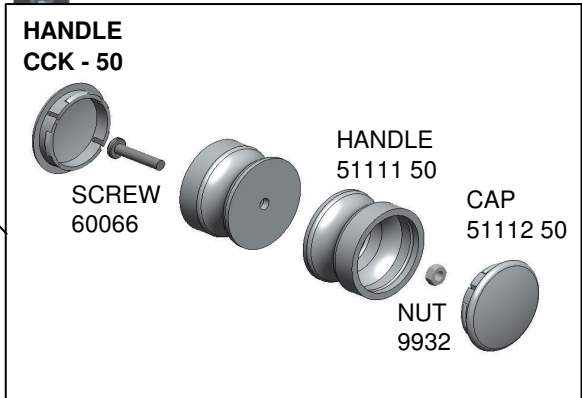
**HANDLE**  
CCK - 50

SCREW  
60066

HANDLE  
51111 50

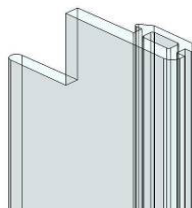
CAP  
51112 50

NUT  
9932



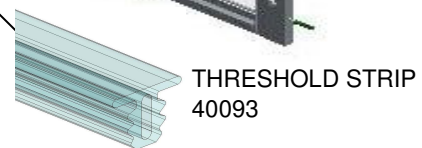
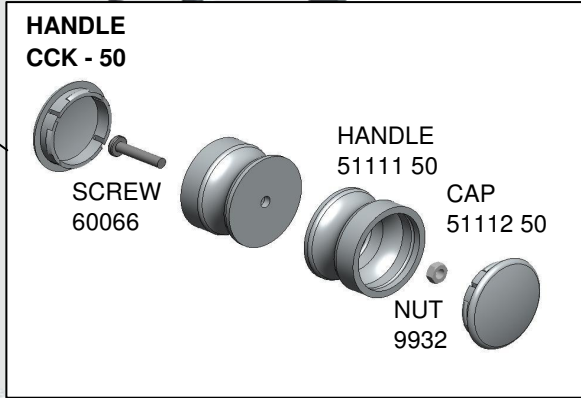
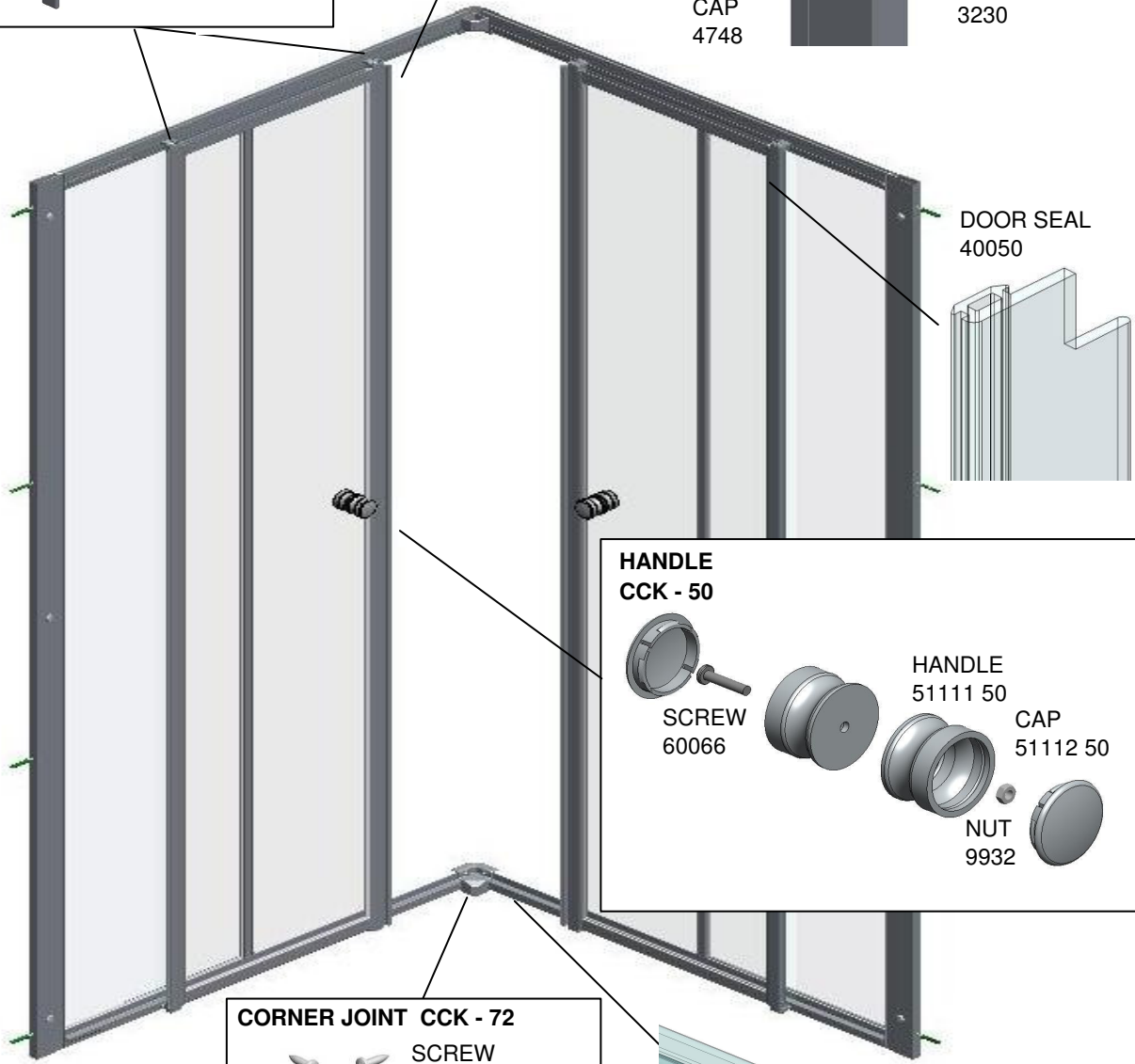
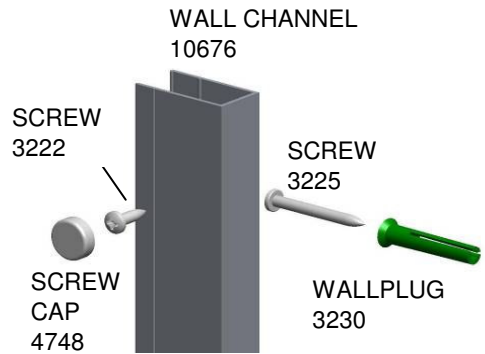
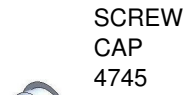
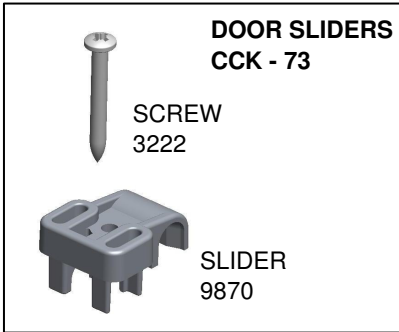
THRESHOLD STRIP  
40073

DOOR SEAL  
40050



**Instruction leaflet 71319**  
**Screwpack 80467**

# GB shower enclosures CORNER ENTRY Parts



**Instruction leaflet 71321  
Screwpack 80465**

# GB shower enclosures QUADRANT Parts

**SLIDER**  
80247

**DOOR SLIDERS**  
CCK - 78

**SCREW**  
60017

**CAM**  
50187

**COVER**  
50186

**WALL CHANNEL**  
10676

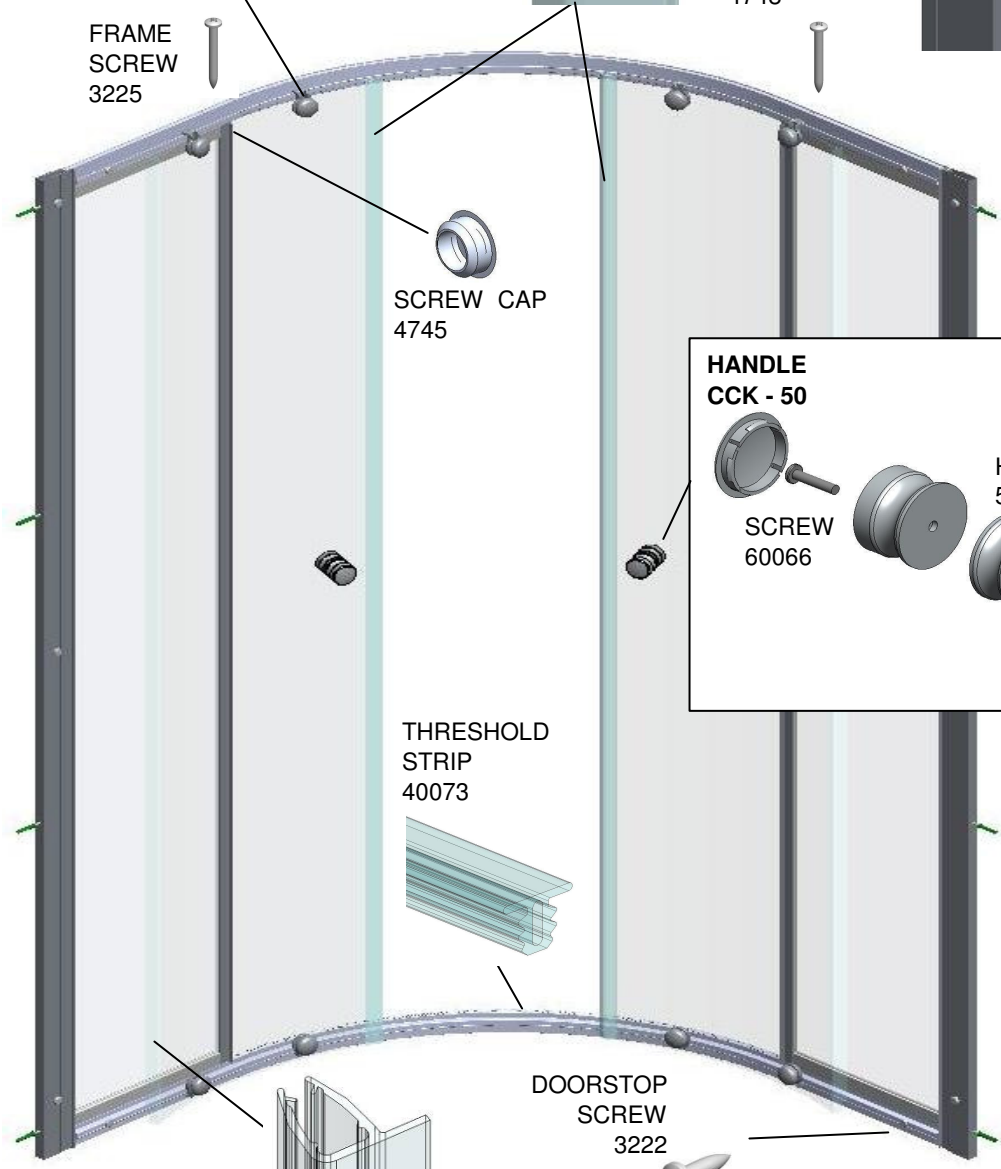
**RAIL SCREW**  
3225

**SCREW**  
3222

**SCREW CAP**  
4748

**SCREW**  
3225

**WALLPLUG**  
3230



**HANDLE**  
CCK - 50

**SCREW**  
60066

**HANDLE**  
51111 50

**CAP**  
51112 50

**NUT**  
9932

**Instruction leaflet 71322**  
**Screwpack (frame) 80466**  
**(door) 80468**